

function

Current transformers with a ratio of Ip/5, for measurement devices (ammeters, kilowatt hour meters), load shedders, control relays, etc.

description

common technical data for all TI transformers

- secondary current: 5 A
- max. voltage rating Ue: 720 V
- frequency: 50...60 Hz
- permanent overload: 1.2 In
- safety factor:
 - 40 to 4000 A: fs ≤ 5
 - 5000 to 6000 A: fs ≤ 10
- IP20
- ambient installation temperature:
 - standard range: - 5 °C to + 55 °C, humidity < 95 %
 - tropicalised range: - 25 °C to + 60 °C, humidity > 95 %

■ reference standards:

IEC 44-1, NFC42502, VDE 0414, BS 7626 and IEC 38-1

■ weight:

catalogue number	weight (g)
16500... 16506 and 16451... 16455	200
16509... 16515 and 16460... 16465	270
16518... 16521 and 16468... 16471	430
16523... 16524 and 16473... 16474	500
16526... 16535 and 16476... 16483	600
16537... 16538	700
16540... 16544	1500
16545... 16547	1500
16548... 16549	5000

TI with let-through primary:

specific technical data

- secondary connection using terminals for lug, using tunnel terminals or using screws (depending on cat. no.)
- delivered with:

catalogue number	adapter for fixing on a symmetrical rail	adapter for fixing on a plate	insulated binding screw	sealable cover
16500... 16506 and 16451... 16456	■	■		■
16509... 16512 and 16459... 16462	■	■	■	optional
16518... 16521 and 16468... 16471	■	■	■	optional
16523... 16524 and 16473... 16474		■	■	■
16526... 16535 and 16476... 16483			■	■
16537... 16538			■	■
16540... 16544			■	■
16545... 16547			■	■
16548... 16549			■	■

- maximum dimensions for primary circuit cable inlets:

catalogue number	opening	cable Ø
16500... 16506 and 16451... 16456	20 x 5 mm	21
16509... 16512 and 16459... 16462	30 x 10 mm	22
16518... 16521 and 16468... 16471	40 x 10 mm	35
16523... 16524 and 16473... 16474	64 x 11 mm and 51 x 31 mm	
16526... 16535 and 16476... 16483	65 x 32 mm	32
16537... 16538	34 x 84 mm	
16540... 16544	38 x 127 mm	
16545... 16547	52 x 127 mm	
16548... 16549	55 x 165 mm	

TI with connection of primary by screw and nut:

specific technical data

- secondary connection using terminals for lug or tunnel terminals (depending on cat. no.)
- cylinder Ø 8.5 mm
- cylinder Ø 12.5 mm
- delivered with:

catalogue number	adapter for fixing on a symmetrical rail	adapter for fixing on a plate	sealable cover
16500... 16506 and 16451... 16456	■	■	■
16511... 16515 and 16461... 16465	■	■	optional

catalogue numbers



16503



16512



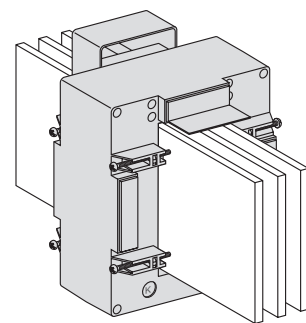
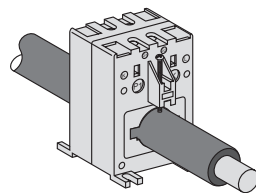
16542

TI with let-through primary

ratio	catalogue number standard TI	catalogue number tropical TI	insulated cable	Prisma vertical busbars	insulated flexible busbars	Linery vertical busbars	rigid busbars
40/5	16500 (*)	-	■				
50/5	16501	16451	■				
75/5	16502	16452	■				
100/5	16503	16453	■				
125/5	16504	16454	■				
150/5	16505	16455	■	■			■
	16509	16459			■		
200/5	16506	16456	■	■			■
	16510	16460			■		
	16526	16476				■	
250/5	16511	16461	■	■	■		
	16518	16468					■
	16527	16477				■	
300/5	16512	16462	■				
	16519	16469		■	■		■
	16528	16478				■	
400/5	16520	16470	■	■	■		■
	16529	16479				■	
500/5	16521	16471	■		■		
	16523	16473					■
	16530	16480				■	
600/5	16524	16474			■		■ (1)
	16531	16481		■		■	■ (2)
800/5	16532	16482			■	■	■
1000/5	16533	16483			■	■	■
1250/5	16534 (*)	-			■	■	■ (3)
	16537 (*)	-					■ (4)
	16540 (*)	-					■ (5)
1500/5	16535 (*)	-				■	■ (3)
	16538 (*)	-					■ (4)
	16541 (*)	-					■ (5)
2000/5	16542 (*)	-					■
2500/5	16543 (*)	-					■
	16545 (*)	-					■ (6)
3000/5	16544 (*)	-					■
4000/5	16547 (*)	-					■
5000/5	16548 (*)	-					■
6000/5	16549 (*)	-					■

(*) standard tropical TI

- (1) rigid flat busbars
- (2) rigid vertical busbars
- (3) < 80 mm rigid busbars
- (4) 80 mm rigid busbars
- (5) 100 mm rigid busbars
- (6) 100 mm rigid triple busbars



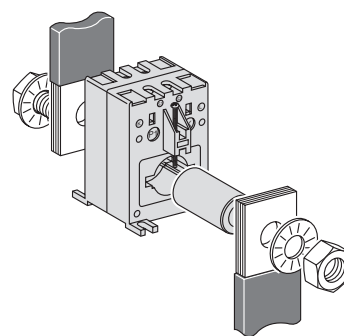
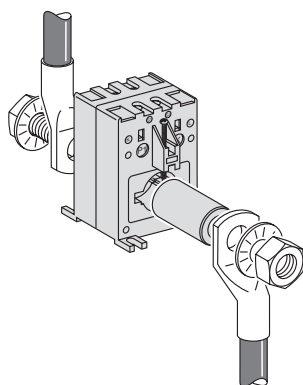
catalogue numbers (cont.)



16503 + 16550

TI with connection of primary by screw and nut

ratio	catalogue number standard TI	or	catalogue number tropical TI	+	catalogue number cylinder
40/5	16500	or	-	+	16550
50/5	16501	or	16451	+	16550
75/5	16502	or	16452	+	16550
100/5	16503	or	16453	+	16550
125/5	16504	or	16454	+	16550
150/5	16505	or	16455	+	16550
200/5	16506	or	16456	+	16550
250/5	16511	or	16461	+	16551
300/5	16512	or	16462	+	16551
400/5	16513	or	16463	+	16551
500/5	16514	or	16464	+	16551
600/5	16515	or	16465	+	16551



accessories

	catalogue number
sealable cover for cat. nos. 16509 to 16515 and 16459 to 16465	16552
sealable cover for cat. nos. 16518 to 16521 and 16468 to 16471	16553

additional information

dimensions: page 90148/21
practical advice: page 92414/2