



## HI76407 Standard DO Probe

The HI76407 dissolved oxygen probe is extremely rugged, making it ideal for both laboratory and field applications. Calibration is fast and simple, while all DO measurements are temperature compensated. The pre-tensioned, ready-made PTFE membrane can be changed in a matter of seconds without the need to stretch and cut replacements.

Several cable lengths are available.



## HI76408 Thinner DO Probe for Laboratories

The HI76408 DO probe is rugged and perfect for both laboratory and field applications. Calibration is fast and simple, and measurements are temperature compensated. The sensitive PTFE membrane can be changed in a few seconds.

Available in 1 m (3.3') cable length..



## HI76407A/P Easy, Screw Cap DO Membranes

Carry Extras for Assurance

Pretensioned PTFE membranes are easily replaced using these screw on cap replacements. Should a pin hole or stretching occur, have replacements on hand.

Specifications	HI2400	
Dissolved Oxygen	Range	0.00 to 45.00 mg/L (ppm); 0.0 to 300.0% saturation
	Resolution	0.01 mg/L (ppm); 0.1% saturation
	Accuracy	±1.5% FS
	Calibration	one or two points at 0% (HI7040 solution) and 100% (in air)
Temperature	Range	0.0 to 50.0°C
	Resolution	0.1°C
	Accuracy	±0.2°C (excluding probe error)
Altitude Compensation	0 to 4000 m (with 100 m resolution)	
Salinity Compensation	0 to 40 g/L (ppt) (with 1 g/L resolution)	
Temperature Compensation	automatic from 0.0 to 50.0°C (32.0 to 122°F)	
Probe	HI76407/2 polarographic DO probe with internal temperature sensor, DIN connector and 2 m (6.6') cable (included)	
Logging Interval	5, 10, 30 seconds or 1, 2, 5, 10, 15, 30, 60, 120, 180 minutes	
PC Connection	opto-isolated USB	
Power Supply	12 VDC adapter	
Environment	0 to 50°C; RH max 95%	
Dimensions	235 x 222 x 109 mm (9.2 x 8.7 x 4.3")	
Weight	1.3 kg (2.9 lbs.)	
<b>Ordering Information</b>	<b>HI2400-01</b> (115V) and <b>HI2400-02</b> (230V) are supplied with HI76407/2 dissolved oxygen probe, HI76407A membrane caps (2), HI7041S electrolyte solution (30 mL), 12 VDC adapter and instructions.	

DO solutions and accessories begin on page 7.21

## HI76407

## Standard DO Probe

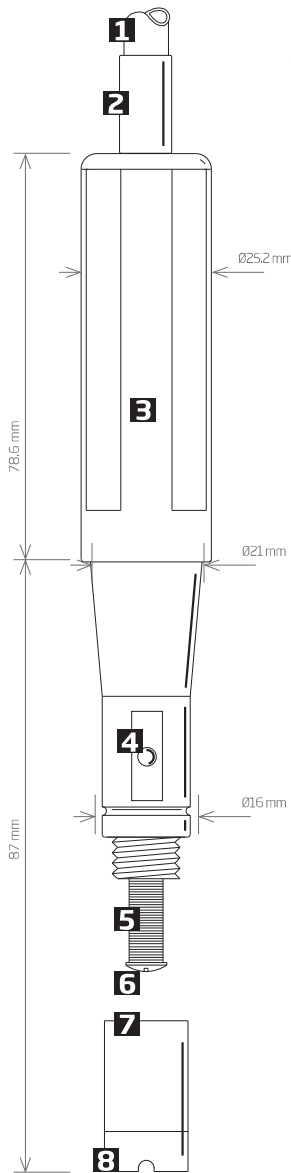
The HI76407 dissolved oxygen probe is extremely rugged, making it perfect for both laboratory and field applications. Calibration is fast, simple and all DO readings are temperature compensated.

The pre-tensioned, ready-made PTFE membrane can be changed in a few seconds without the need to stretch and cut replacements.

The HI76407 is offered with several cable lengths to meet your specific needs.

## HI76407

- 1** Shielded, waterproof cable
- 2** Protective sleeve
- 3** PEI probe for best field protection
- 4** Linearized and accurate thermistor temperature sensor protected behind a stainless steel cover
- 5** Silver wire anode element
- 6** Glass encapsulated platinum cathode
- 7** Screw cap membrane that holds potassium chloride electrolyte solution (HI7041S)
- 8** Thin, permeable PTFE membrane isolates the sensor elements from the testing solution, but allows oxygen to enter (HI76407A/P)



HI76407

## HI76407A/P

Easy,  
Screw Cap  
DO Membranes

When the PTFE (polytetrafluoroethylene) membrane of the protective cap wears, it is always good to have a back-up.

**HI76407A/P** contains 5 ready-to-use, replacement membranes

## HI7041

Electrolyte  
Solution

It is crucial to the performance of your DO probe to keep the sensor active with regular maintenance. For this purpose, Hanna has developed HI7041 electrolyte solution to refill the membrane cap.

<b>HI7041S</b>	refilling electrolyte solution (30 mL)
<b>HI7041</b>	refilling electrolyte solution (6 x 30 mL)
<b>HI7041M</b>	refilling electrolyte solution (230 mL)
<b>HI7041L</b>	refilling electrolyte solution (500 mL)

Probe	Cable Length	Recommended Meter
<b>HI76407/2</b>	2 m (6.6')	
<b>HI76407/4</b>	4 m (13')	HI5421 HI2400
<b>HI76407/10</b>	10 m (33')	



## HI76407 Protected Sleeve Series DO Probe

with Protective Sleeve

Perfect for laboratory and field applications, The Hanna HI76407F Series DO probes are extremely rugged with a screw-on protective sleeve. Calibration is fast and simple, and measurements are temperature compensated. The sensitive PTFE membrane can be changed in a few seconds.

- 1** Shielded, waterproof cable
- 2** Protective sleeve
- 3** PEI probe for best field protection
- 4** Linearized and accurate thermistor temperature sensor protected behind a stainless steel cover
- 5** Silver wire anode element
- 6** Glass encapsulated platinum cathode
- 7** Screw cap membrane that holds potassium chloride electrolyte solution (HI7041S)
- 8** Thin, permeable PTFE membrane isolates the sensor elements from the testing solution, but allows oxygen to enter (HI76407A/P)
- 9** Hole for solution cycling
- 10** Protective sleeve for field applications

Probe	Cable Length	Recommended Meter
HI76407/4F	4 m (13')	HI9146
HI76407/10F	10 m (33')	HI9142
HI764073	4 m (13')	HI98193

### HI76407A/P Easy, Screw Cap DO Membranes

When the PTFE (polytetrafluoroethylene) membrane of the protective cap wears, it is always good to have a back-up.

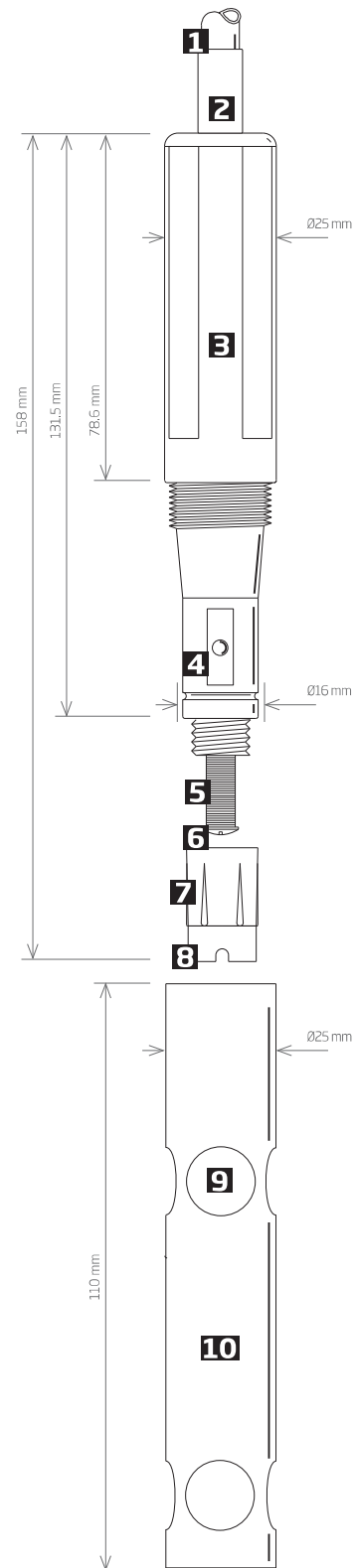
HI76407A/P contains 5 ready-to-use, replacement membranes.



### HI7040 • HI7041 DO Solutions

It is crucial to the performance of your DO probe to keep the sensor active with regular maintenance.

HI7040L	zero oxygen solution set, 500 mL + 12g
HI7041S	refilling electrolyte solution (30 mL)
HI7041	refilling electrolyte solution (5 x 30 mL)
HI7041M	refilling electrolyte solution (230 mL)
HI7041L	refilling electrolyte solution (500 mL)

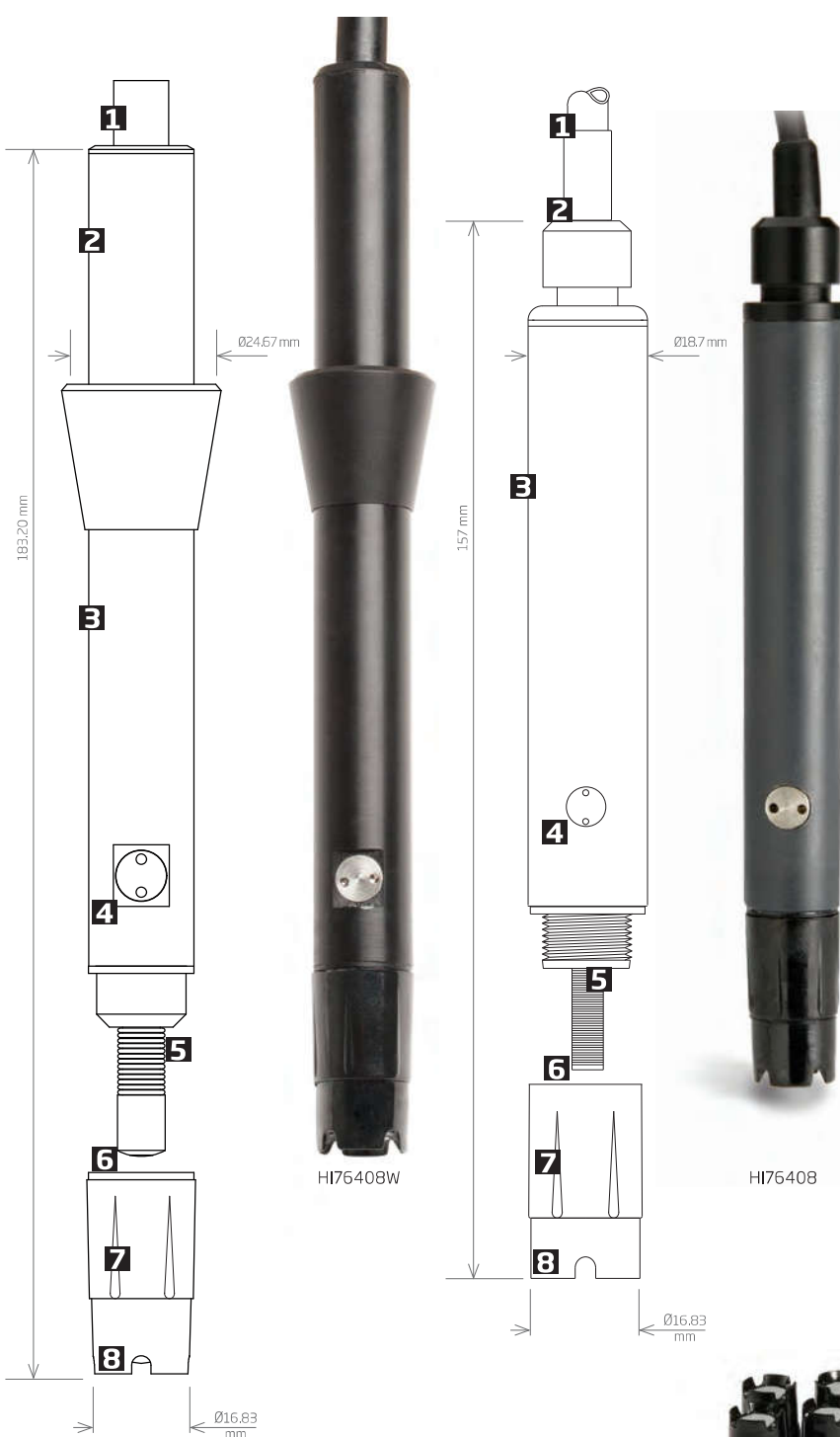


## HI76408 • HI76408W Thinner, Lighter Probes

for Laboratories

The Hanna HI 76408 and the HI76408W DO probes are rugged and perfect for both laboratory and field applications. Calibration is fast and simple, and measurements are temperature compensated. The sensitive PTFE membrane can be changed in a few seconds.

- 1** Shielded, waterproof cable
- 2** Protective sleeve
- 3** PEI probe for best field protection
- 4** Linearized and accurate thermistor temperature sensor protected behind a stainless steel cover
- 5** Silver wire anode element
- 6** Glass-encapsulated platinum cathode
- 7** Screw cap membrane that holds potassium chloride electrolyte solution (HI7041S)
- 8** Thin permeable PTFE membrane isolates the sensor elements from the testing solution, but allows oxygen to enter (HI76407A/P)



HI76408W

HI76408

Probe	Cable Length	Recommended Meter
HI76408	1 m (3.3')	HI5421 HI2400
HI76408W	1 m (3.3')	HI5421 HI2400

## HI76407A/P Easy, Screw Cap DO Membranes

When the PTFE (polytetrafluoroethylene) membrane of the protective cap wears, it is always good to have a back-up.

**HI76407A/P** contains 5 ready-to-use, replacement membranes.



## HI7040 • HI7041 DO Solutions



It is crucial to the performance of your DO probe to keep the sensor active with regular maintenance.

<b>HI7040L</b>	zero oxygen solution set, 500 mL + 12g
<b>HI7041S</b>	refilling electrolyte solution (30 mL)
<b>HI7041</b>	refilling electrolyte solution (6 x 30 mL)
<b>HI7041M</b>	refilling electrolyte solution (230 mL)
<b>HI7041L</b>	refilling electrolyte solution (500 mL)