

تلفن تهران (دفتر مرکزی) : ۰۲۱ - ۴۷ ۶۲ ۷۰ ۱۰

دورنگار : ۰۲۱ - ۴۳ ۸۵ ۹۶ ۱۰

تلفن دفتر مشهد : ۰۵۱-۳۷۱۳۸۲۰۵-۶

دورنگار دفتر مشهد : ۰۵۱-۳۷۱۳۷۳۳۷

VICTOR®

Multimeter | Desktop Ampere meter VICTOR VC97 model



مشخصات فنی مولتی متر رومیزی :

ولتاژ DC: 400mV/4V/40V/400V/1000V

ولتاژ AC: 400mV/4V/40V/400V/750V

جریان DC: 400uA/4000uA/40mA/400mA/10A

جریان AC: 400uA/4000uA/40mA/400mA/10A

مقاومت: 400Ω/4kΩ/40kΩ/400kΩ/4MΩ/40MΩ

خازن سنج: 4nF/40nF/400nF/4uF/40uF/200uF


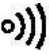
فرکانس متر: 100/1000/10k/100k/1M/30MHz

اندازه گیری دما: -40~1000°C

Overload protection: 250V DC/AC peak value

**ELECTRICAL
SPECIFICATIONS**

Diode and continuity Test

Range	Description	Test Condition
	Display read approx. forward voltage of diode	Forward DC Current approx.0.5mA. Reversed voltage approx. 1.5V.
	Buzzer sounds if resistance Between terminals V/ Ω and COM is less than about $70 \pm 30 \Omega$.	Open circuit voltage: 0.5V

Overload Protection : 250V DC/AC peak value

Warning: do not input voltage at the range for safety.

Transistor hFE Test

Range	Displaying value	Test condition
hFE NPN or PNP	0~1000	Base Current approx. 15uA, Vce approx. 1.5V

Temperature

Range	Displaying value	Test condition
(-20-1000)°C	<400°C ± (1.0%+5d) ≥400°C ± (1.5%+15d)	1°C

DC Voltage

Range	Accuracy	Resolution
400mV	±(0.5%+4d)	0.1mV
4V		1mV
40V		10mV
400V		100mV
1000V	±(1.0%+6d)	1V

Input impedance: 400mV range: more than 40MΩ other range: 10MΩ

Overload protection: 1000V DC or AC peak value

DC mV:

Range	Accuracy	Resolution
400mV	±(0.5%+4d)	0.1mV

AC Voltage

Range	Accuracy	Resolution
4V	±(0.8%+10d)	1mV
40V		10mV
400V		100mV
750V	±(1.0%+10d)	1V

Input impedance: 400mV range: more than 40MΩ; other range: 10MΩ

Frequency response: 750V range : 40-100Hz other range: 40-400Hz

Overload protection: 1000DC/750VAC RMS

Indication : mean value response (rms of sine wave)

Resistance

Range	Accuracy	Resolution
400 Ω	$\pm (0.8\%+5d)$	0.1 Ω
4k Ω	$\pm (0.8\%+4d)$	1 Ω
40k Ω		10 Ω
400k Ω		100 Ω
4M Ω		1k Ω
40M Ω	$\pm (1.2\%+10d)$	10k Ω

Overload protection: 250V DC/AC peak value

Open circuit voltage: 400mV

Note: at 400 Ω range, should short the test leads and measure the resistance of the wire, then, minus from measuring.

DC Current

Range	Accuracy	Resolution
400uA	$\pm (1.0\%+10d)$	0.1uA
4000uA		1uA
40mA	$\pm (1.2\%+8d)$	10uA
400mA		100uA
10A	$\pm (1.2\%+10d)$	10mA

Overload protection : 0.5A/250V fuse, 10A/250V fuse.

Max measuring voltage: Full scale mA range: 1.2V; A range : 100 mV

Max input current: 10A (max. up to 15 seconds).

AC mV

Range	Accuracy	Resolution
400mV	$\pm(1.6\%+8d)$	0.1mV

AC Current

Range	Accuracy	Resolution
400uA	$\pm(1.5\%+10d)$	0.1uA
4000uA		1uA
40mA		10uA
400mA		100uA
10A	$\pm(2.0+15d)$	10mA

Overload protection : 0.5A/250V fuse, 10A/250V fuse

Max measuring voltage: Full scale mA range: 1.2V A range: 100mV

Max input current: 10A (up to 15 seconds).

Frequency response: 10A range: 40-100Hz; other range: 40-400Hz

Capacitance

Range	Accuracy	Resolution
4nF	$\pm(2.5\%+20d)$	1pF
40nF	$\pm(3.5\%+8d)$	10pF
400nF		100pF
4uF		1nF
40uF		10nF
200uF	$\pm(5.0\%+10d)$	100nF

Overload protection : 250V DC/AC peak value

Frequency

Range	Accuracy	Resolution
100Hz	$\pm (0.5\%+10d)$	0.01Hz
1000Hz		0.1Hz
10kHz		1Hz
100kHz		10Hz
1MHz		100Hz
30MHz		1kHz